



PROFESSIONAL SCAFFOLDING MASTER

CHEMITOOL professional modular scaffolding in aluminium. Welded construction in tubes with a diameter of 50.8 mm and a thickness of 2 mm.

Platform size 1670x600 mm, maximum stability, with swivelling wheels and folding base.






Easy assembly without tools.



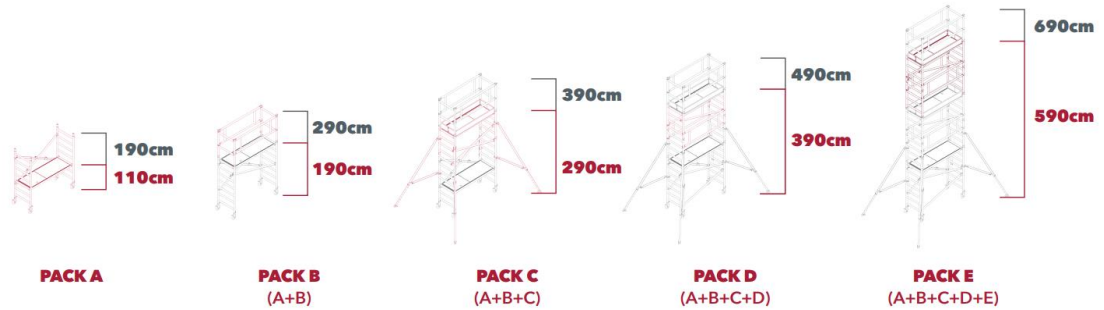
APPLICATION FIELDS

- ✓ Construction
- ✓ Industry

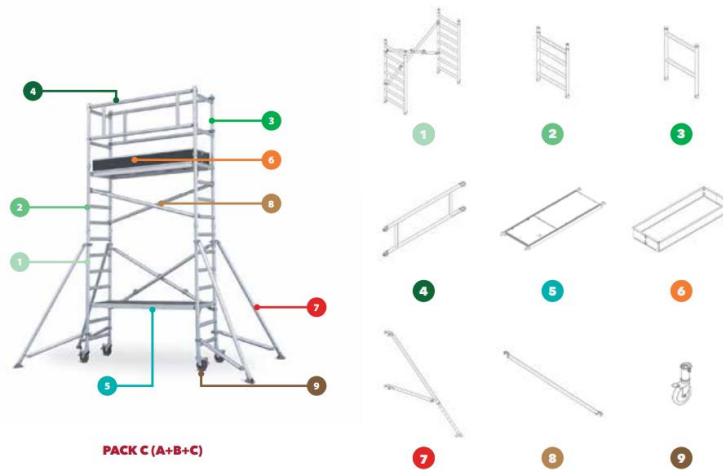
TECHNICAL SPECIFICATIONS

SAP					
CHT200206010002	1,10 m	3,10 m	1,90 m	1,85 m	0,70 m
CHT200206010003	1,90 m	3,90 m	2,90 m	1,85 m	0,70 m
CHT200206010001	2,90 m	4,90 m	3,90 m	1,85 m	0,70 m
CHT200206010004	3,90 m	5,90 m	4,90 m	1,85 m	0,70 m
CHT200206010005	5,90 m	7,90 m	6,90 m	1,85 m	0,70 m

TECHNICAL SPECIFICATIONS



COMPOSITION EXAMPLE



REFERENCES

SAP	Description	EAN
CHT200206010002	Professional aluminium scaffolding Pack A	5604630166508
CHT200206010003	Professional aluminium scaffolding Pack B	5604630166515
CHT200206010001	Professional aluminium scaffolding Pack C	5604630156073
CHT200206010004	Professional aluminium scaffolding Pack D	5604630166522
CHT200206010005	Professional aluminium scaffolding Pack E	5604630166539

Note: The technical information provided, verbally or in writing, is based on our current knowledge and should be regarded as non-binding collaboration. The use of the product is beyond our control, therefore we disclaim all liability for improper use of the product. The customer is responsible for confirming and evaluating (through testing) whether the product is suitable for the process and type of use in question. Our purpose is exclusively to guarantee the quality of the products in accordance with our standards.