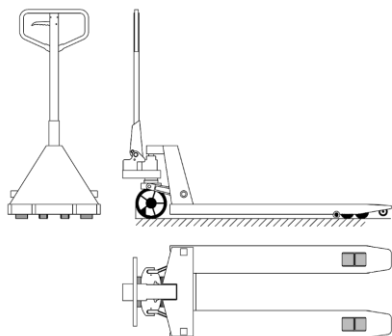


HAND PALLET TRUCK 2500 KG

Hand pallet truck, indispensable for transporting loads over short distances. Specially designed to move pallets and heavy loads on the ground. Effective due to its strength and agility, saving time in the work carried out.

Recommended for moving pallets over short distances within your shop, workshop or factory. Ideal for all types of floors and surfaces.

- ✓ **Robust and resistant steel structure**
- ✓ **Payload: 2500 Kg**
- ✓ **Easy to use and maintain**
- ✓ **Operation using an ergonomic lever**
- ✓ **3 positions-lifting, neutral and lowering**
- ✓ **Silent travel**
- ✓ **Good manoeuvrability**
- ✓ **Rear and front wheels on solid PU rubber**
- ✓ **Manufactured by European quality standards**



TECHNICAL SPECIFICATIONS

Technical data		
Load capacity		2500 Kg
Maximum fork height		200 mm
Minimum fork height		85 mm
Fork length		1150 mm
Overall fork width		540 mm
Load wheels diameter		Ø80x70 mm
Individual fork width		160mm
Steering wheels diameter		Ø200x50 mm

SAP	DESCRIPTION	EAN
CHL010100102500	Hand Pallet Truck 2500 kg	5604630153362

Note: The technical information provided, either verbally or in writing, is based on our current knowledge and should be considered as collaboration without commitment. The use of the product is beyond our control, refusing all responsibility for improper use. The customer is responsible for confirming and evaluating (by testing) whether the product is suitable for the process and the type of use in question. Our warranty is exclusive and limited to guarantee quality according to our standards.